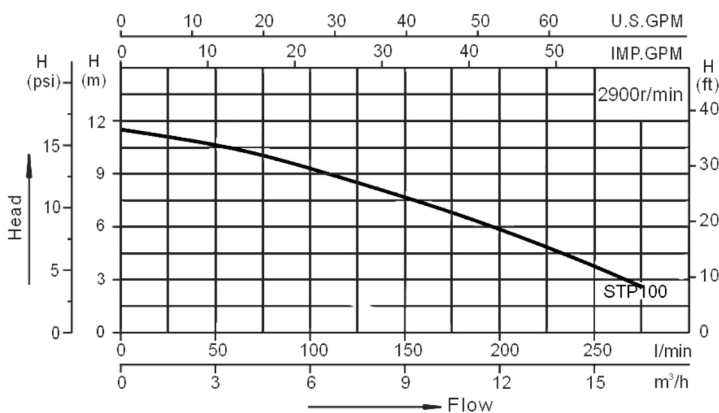
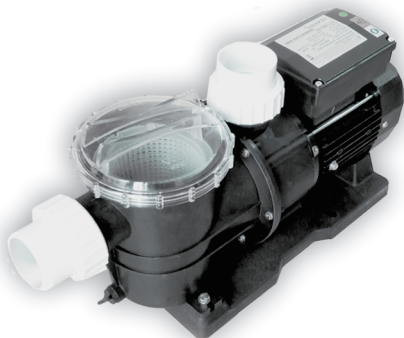


DATA SHEET
Lembar data produk



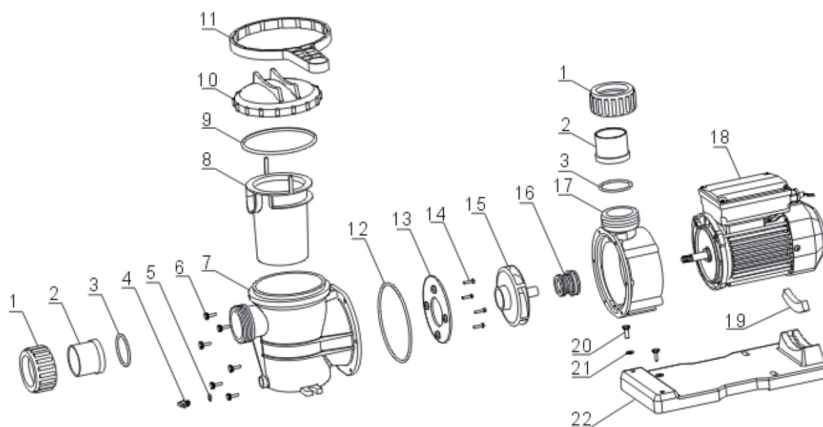
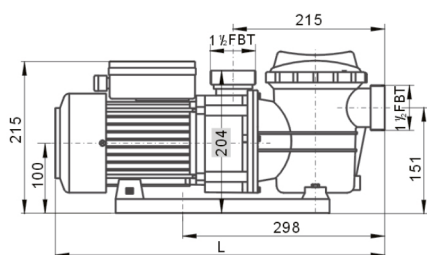
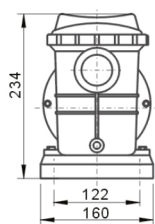
STP 100
POMPA KOLAM RENANG
(1 HP)



Spesification:

Device application / Aplikasi	Pool Circulation / Sirkulasi Kolam renang Pool filtering / Filtrasi Kolam renang Pool Vacuum / Pembersihan Kolam renang Pool Drainage / Pengurasan Kolam renang
Power / Listrik	750 Watt / 1 HP
Inlet / Outlet	1 1/2" x 1 1/2" ®
Max. Head / Head Maks.	10 m
Max. Flow	250 l/min
Max. Capacity / Kapasitas Maks.	250 l/min (on H : 4 m)
Fluid rate temperature / Temperatur Cairan	Up to +40°
Max. ambient temperature / Temperatur Maks.	Up to +50°
Protection / Proteksi.	Ip55
Construction Material / Bahan Dasar Pompa	- Pump Body : ABS Plastic
Pump Feature / Fitur Pompa	- Thermal protector : single phase - Insulation : F

Pump Structure



NO.	Name
1	Tie-in Nut
2	Tie
3	O-Ring
4	Drainage Plug
5	O-Ring
6	Hexagon head bolt and plain washer assembling
7	Pump Cover
8	Filter

NO.	Name
9	Transpařent cover pad
10	Transparent Cover
11	Transparent cover handle
12	O-Ring
13	Cover panel
14	Cross recessed pan head tapping screws
15	Impeller

NO.	Name
16	Mechanical seal
17	Pump Casing
18	Motor
19	Block Gine
20	Hexagon bolt
21	Washer
22	Foot