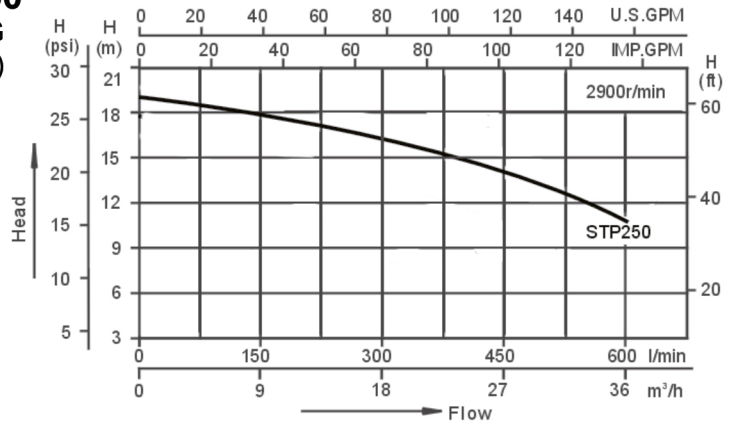
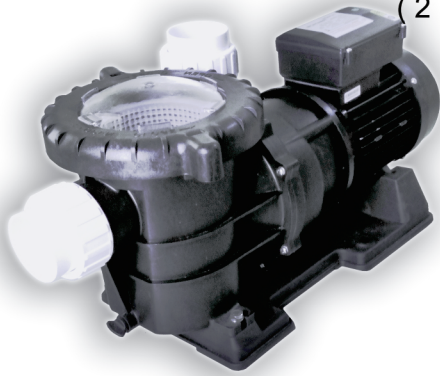


**DATA SHEET**  
Lembar data produk



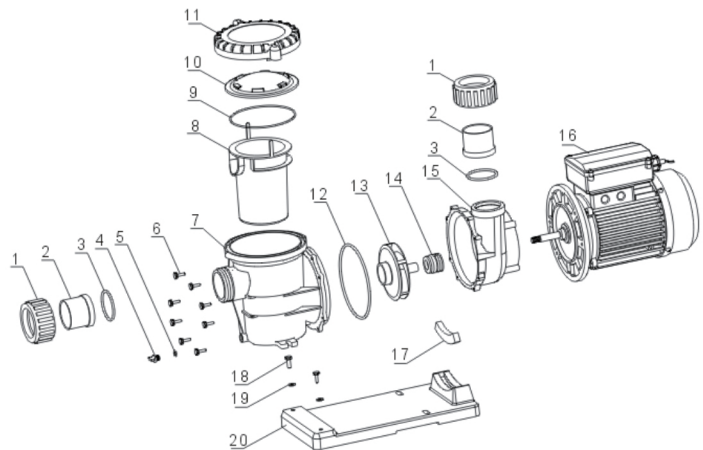
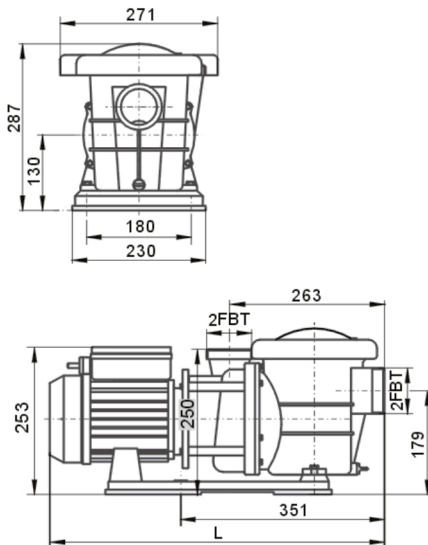
**STP 250**  
POMPA KOLAM RENANG  
( 2 1/2 HP )



**Spesification:**

<b>Device application / Aplikasi</b>	Pool Circulation / Sirkulasi Kolam renang Pool filtering / Filtrasi Kolam renang Pool Vacuum / Pembersihan Kolam renang Pool Drainage / Pengurasan Kolam renang
<b>Power / Listrik</b>	1850 Watt / 2.5 HP
<b>Inlet / Outlet</b>	2" x 2" <span style="float: right;">®</span>
<b>Max. Head / Head Maks.</b>	17 m
<b>Max. Flow</b>	535 l/min
<b>Max. Capacity / Kapasitas Maks.</b>	535 l/min (on H : 13 m)
<b>Fluid rate temperature / Temperatur Cairan</b>	Up to +40°
<b>Max. ambient temperature / Temperatur Maks.</b>	Up to +50°
<b>Protection / Proteksi.</b>	Ip55
<b>Construction Material / Bahan Dasar Pompa</b>	- Pump Body : ABS Plastic
<b>Pump Feature / Fitur Pompa</b>	- Thermal protector : single phase - Insulation : F

**Pump Structure**



N.O.	Name
1	Tie-in Nut
2	Tie
3	O-Ring
4	Drainage Plug
5	O-Ring
6	Hexagon head bolt and plan washer assembling
7	Pump Cover
8	Filter

N.O.	Name
9	O-Ring
10	Transparent Cover
11	Gland Cover
12	O-Ring
13	Impeller
14	Mechanical seal
15	Pump Casing

N.O.	Name
16	Motor
17	Block Gine
18	Hexagon bolt
19	Washer
20	Foot